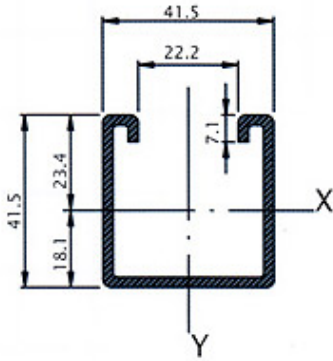


N1000 Channel & Combinations



Technical Data :

$I_x = 7.20 \text{ Cm}^4$; $I_y = 9.20 \text{ Cm}^4$ (I=Moment of Inertia)

$W_x = 3.07 \text{ Cm}^3$; $W_y = 4.47 \text{ Cm}^3$ (W=Section Modulus)

Material :

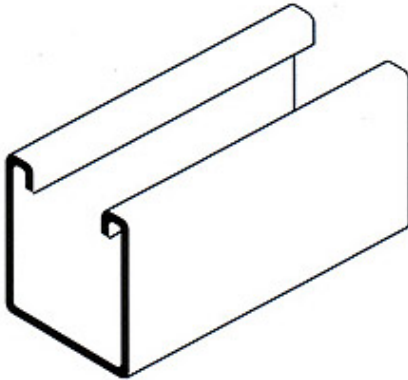
Mild Steel JIS G 3131 (SPHC)

2.5 Material Thickness

Finishing :

Hot Dip Galvanized Comply to ASTN A 123 or ISO1461

N1000

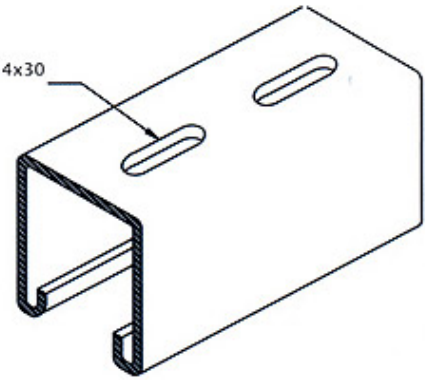


Mass = 2.6 Kg/M

Standard Length = 6 M

N1000T

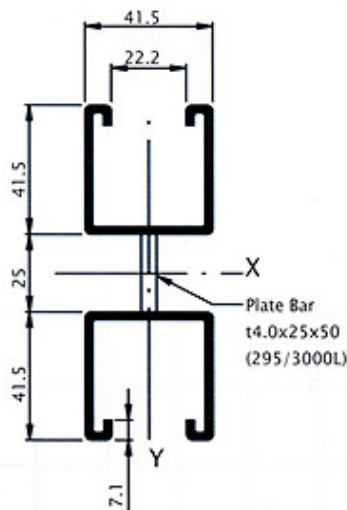
Ob.Ø14x30



Mass = 2.6 Kg/M

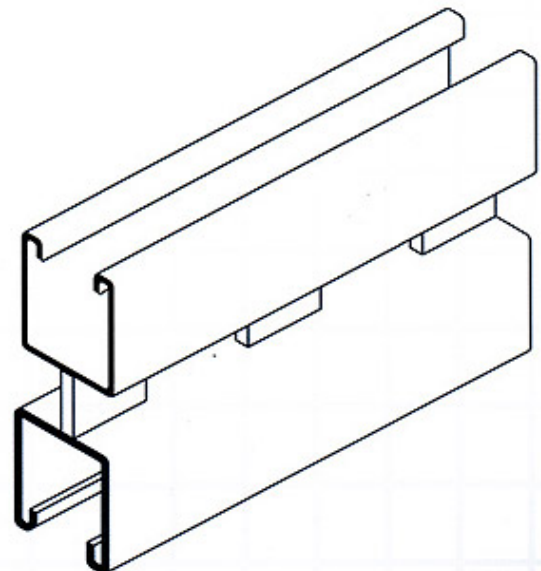
Standard Length = 6 M

N1000R



Mass = 5.3 Kg/M

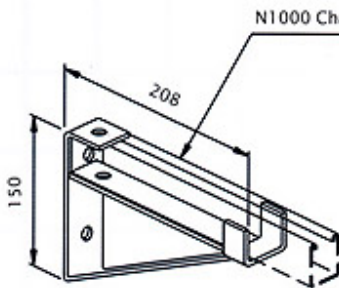
Standard Length = 3 M



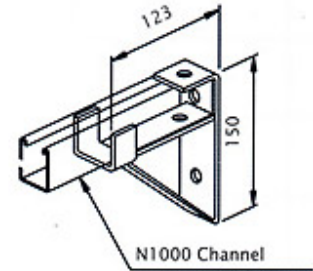
Cantilever Bracket

GENERAL DATA :

Hole Size - 14 Diameter
 Thickness - 6
 Width - 42
 Hot Dip Galvanized



Code No :	DESIGN MOMENT KN m* (Vertical Support Channel)	Mass Kg/100
N1000		
NC1075-8	1.15	130
NC1075-4	1.15	103



NCL150 TO NCL600

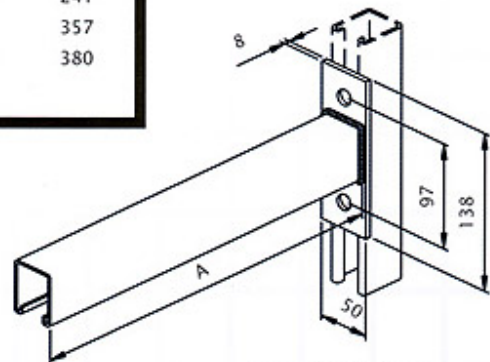
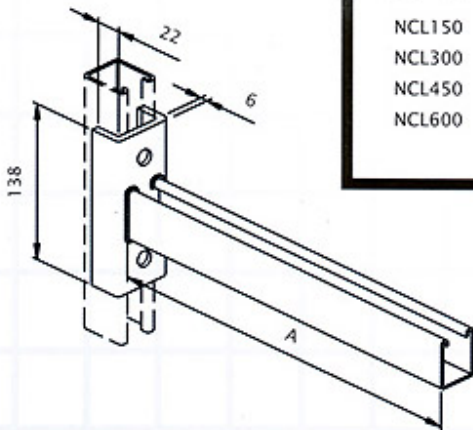
Code No :	A	B	C	DESIGN UNIFORM LOAD KN	Mass Kg/100
NCL150	321	166	87	7.80	178
NCL300	471	166	87	5.30	241
NCL450	636	216	113	3.93	357
NCL600	781	216	113	3.20	380

NC1075-8

NC1075-4

NC2233 &
NC2234

NC2663-250
TO NC2663-700

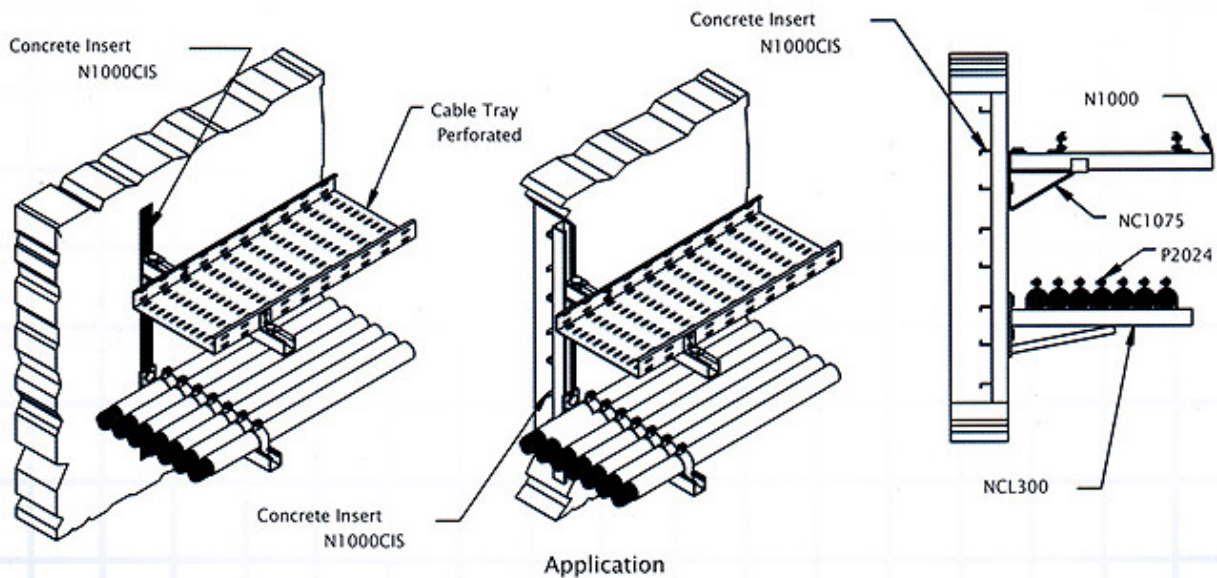
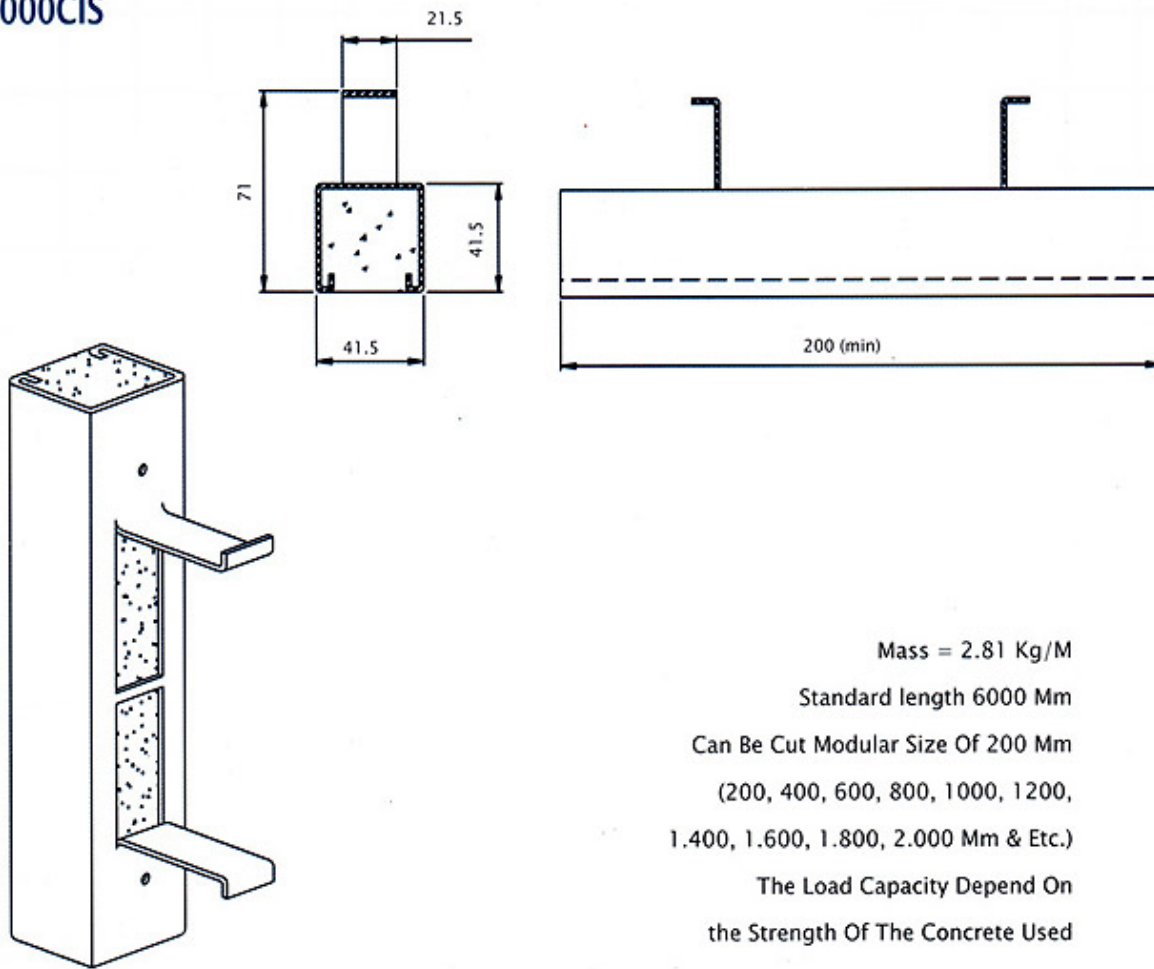


Code No :	A	Mass Kg/100	DESIGN UNIFORM LOAD KN (Vertical Support Channel) N1000
NC2233	458	194	1.48
NC2234	611	238	1.19

Code No :	A	Mass Kg/100	DESIGN UNIFORM LOAD KN (Vertical Support Channel) N1000
NC2663-250	252	112	2.91
NC2663-400	402	155	1.82
NC2663-550	552	198	1.32
NC2663-700	702	240	1.04

Concrete Inserts

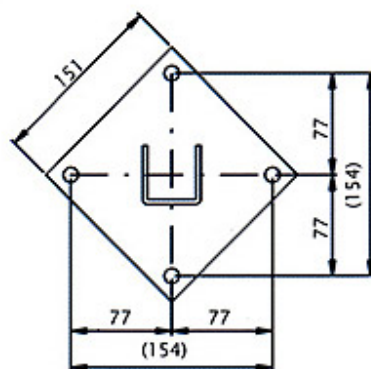
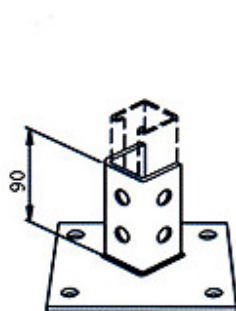
N1000CIS



Base Plates

GENERAL DATA :

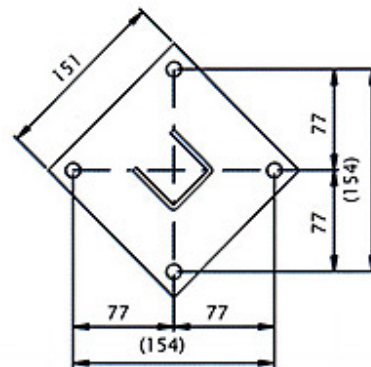
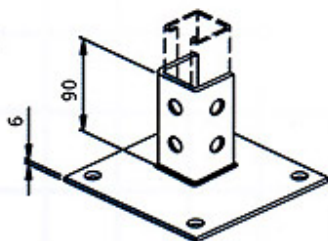
Hole Size - 14 Diameter
Thickness - 6
Hot Dip Galvanized



Mass: 164 Kg/100

NB2072A

NB2072AR



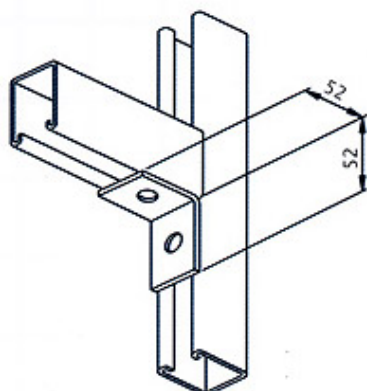
Mass: 164 Kg/100

Ninety Degree Angle Fittings

GENERAL DATA :

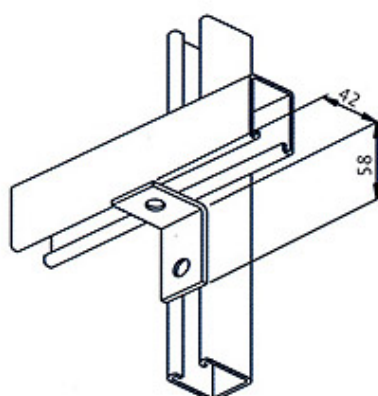
- Hole Size - 14 Diameter
- Thickness - 6
- Width - 42
- Hot Dip Galvanized

Mass: 17 Kg/100



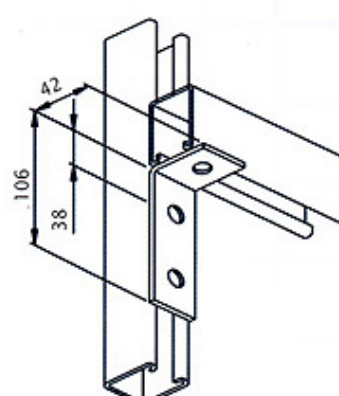
NS1026

Mass: 17 Kg/100



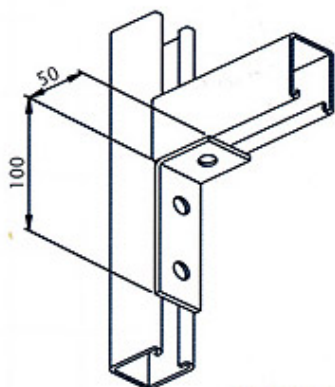
NS1068

Mass: 24 Kg/100



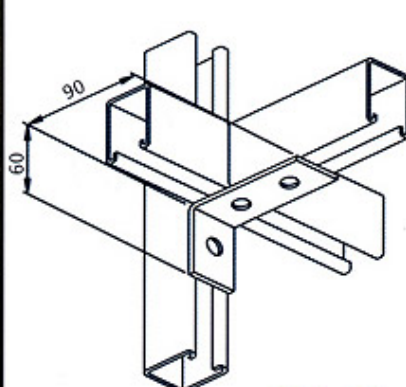
NS1326

Mass: 24 Kg/100



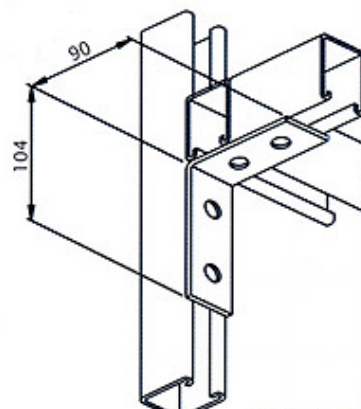
NS1346

Mass: 24 Kg/100



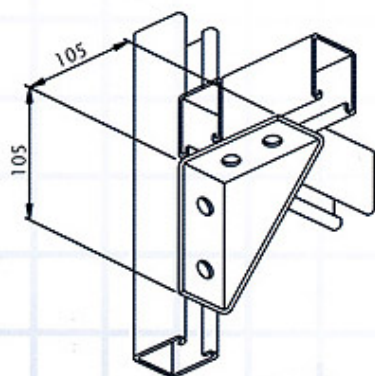
NS1458

Mass: 33 Kg/100



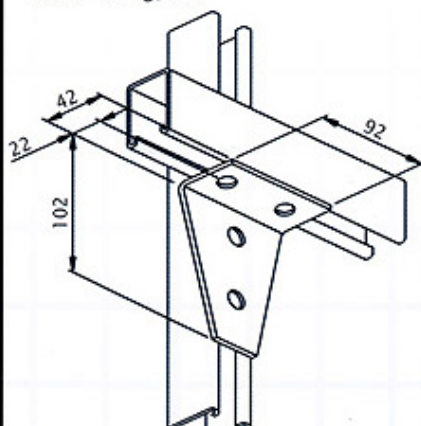
NS1325

Mass: 61 Kg/100



NS2484

Mass: 48 Kg/100



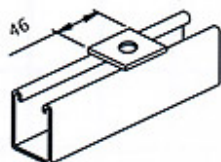
NS1359

Flat Plate Fittings

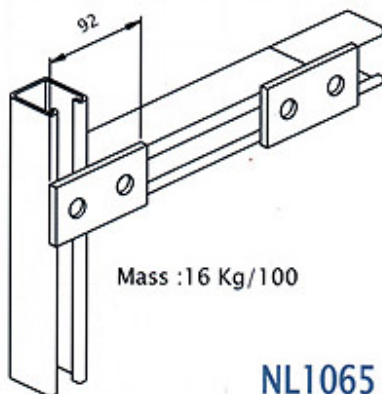
GENERAL DATA :

Hole Size - 14 Diameter
 Thickness - 6
 Width - 42
 Hot Dip Galvanized

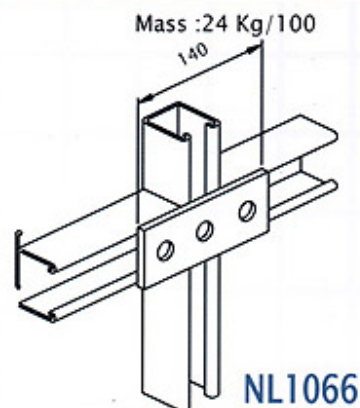
NL1062 TO NL 1064



	Bolt Size	Hole Size	Mass Kg/100
NL1062	8	9	7.0
NL1063	10	12	6.8
NL1064	12	14	6.6

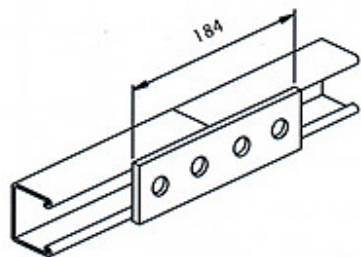


NL1065



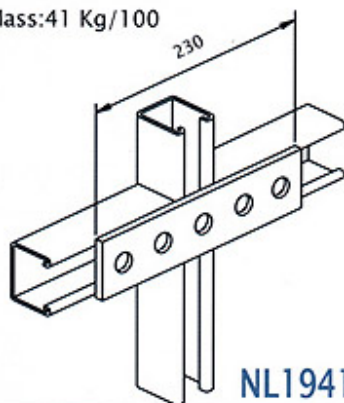
NL1066

Mass:32 Kg/100



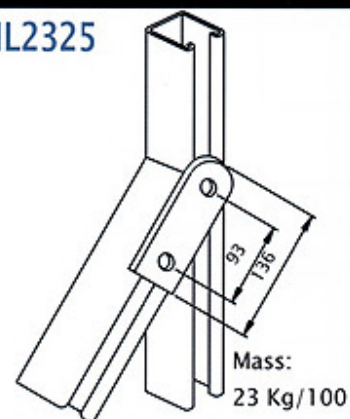
NL1067

Mass:41 Kg/100



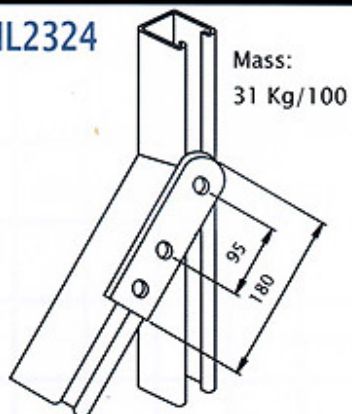
NL1941

NL2325



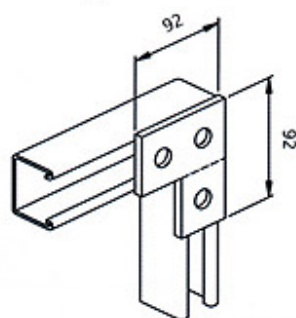
Mass: 23 Kg/100

NL2324



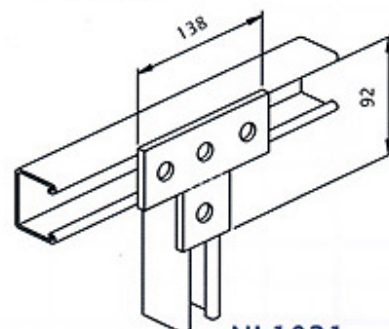
Mass: 31 Kg/100

Mass:25 Kg/100



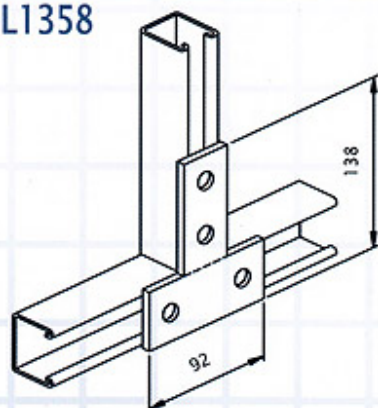
NL1036

Mass:35 Kg/100



NL1031

NL1358



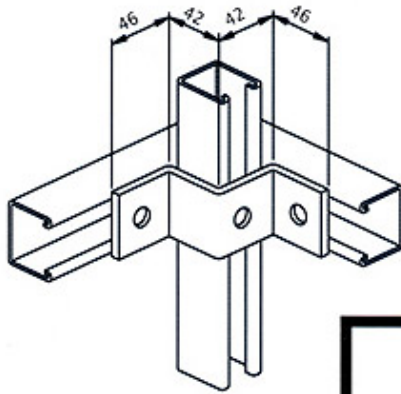
Mass:48 Kg/100

“Z”, “U” & Wing Shape Fittings

GENERAL DATA :

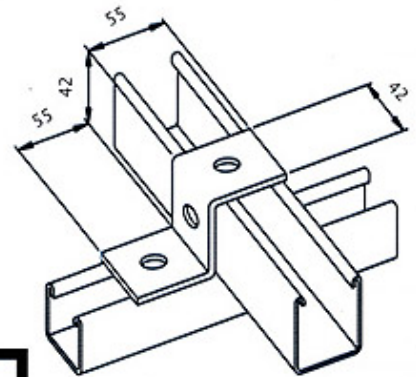
- Hole Size - 14 Diameter
- Thickness - 6
- Width - 42
- Hot Dip Galvanized

Mass :27 Kg/100



NZ1736

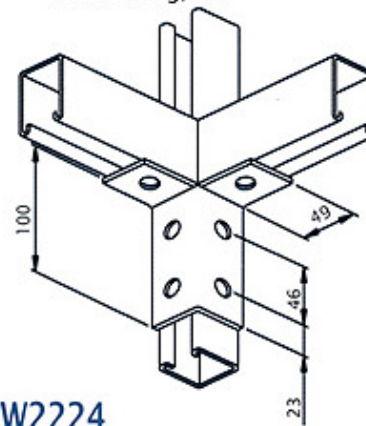
Mass :24 Kg/100



NZ1045

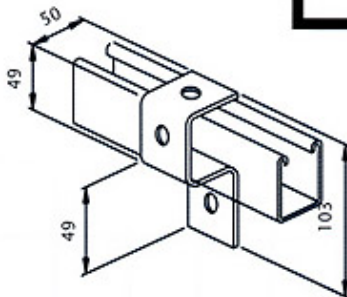
NZ1046

Mass :50 Kg/100

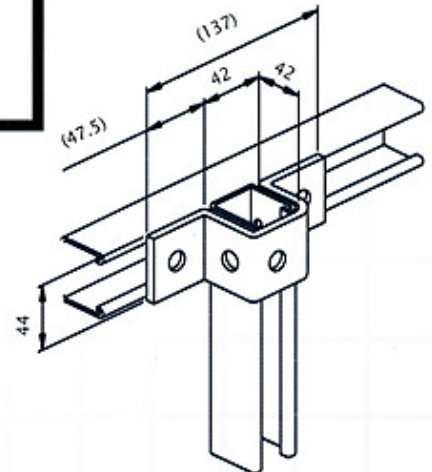


NW2224

NU1047R



Mass :35 Kg/100



Mass :37 Kg/100

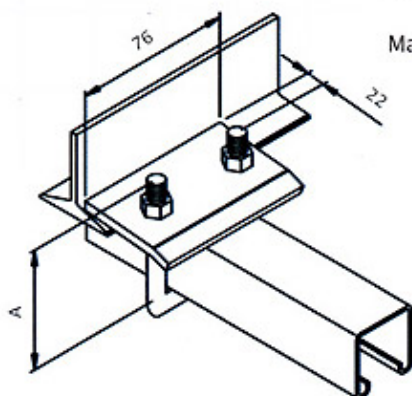
BEAM CLAMPS

N2785 & N2786

N2785 Accepts following channels

N1000 A=86

Mass : 38 kg/100



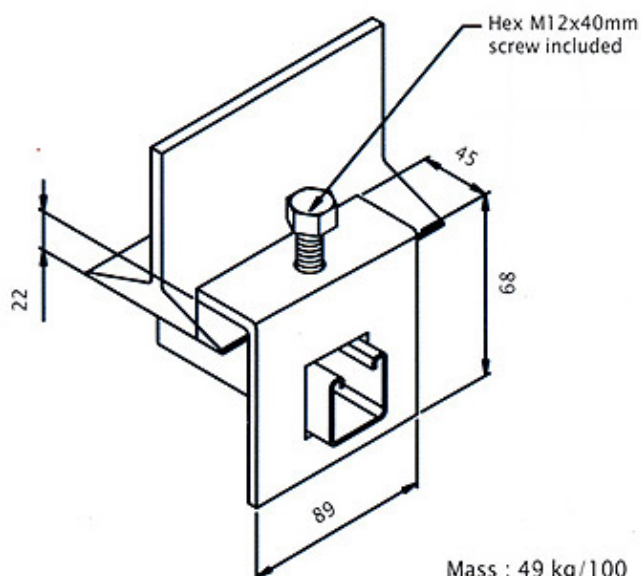
N2786 Accepts following channels

N1001 A=127

Mass : 41 kg/100

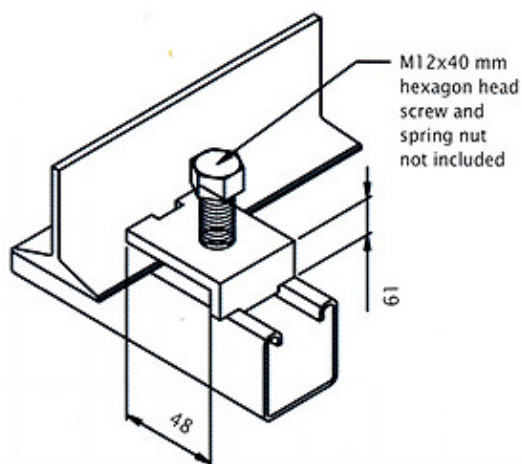
Recommended Load 4.41 kN when used in pairs. 6 thickness

N1796



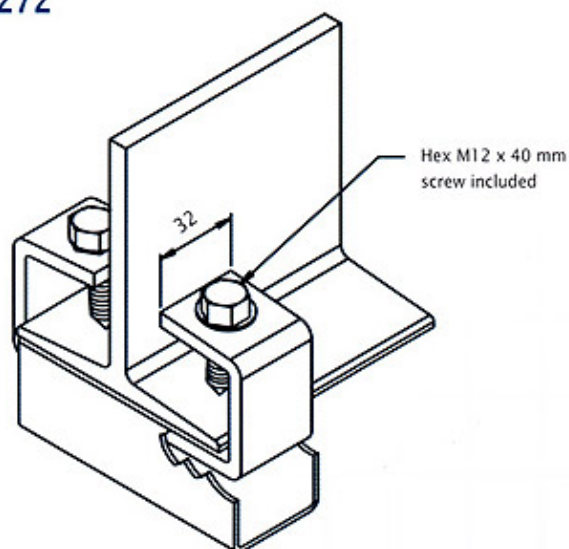
Mass : 49 kg/100
Recommended Load 2.16 kN when used in pairs. 6 thickness

N1386



Mass : 12 Kg/100
Recommended Load 2.65 kN when used in pairs. 6 thickness

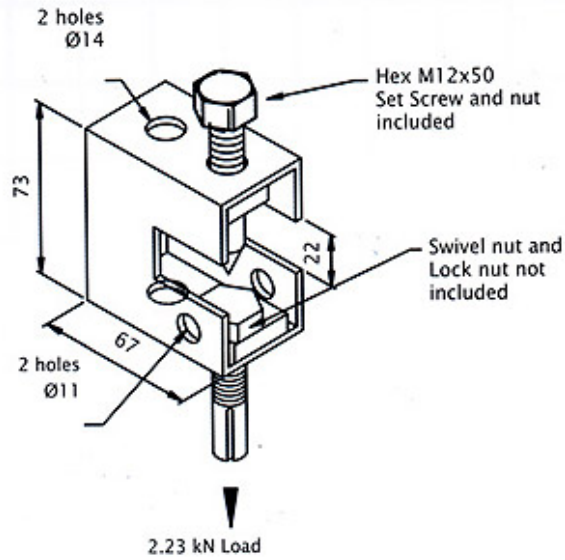
N1272



Mass : 18 kg/100
Recommended Load 1.96 kN when used in pairs. 6 thickness

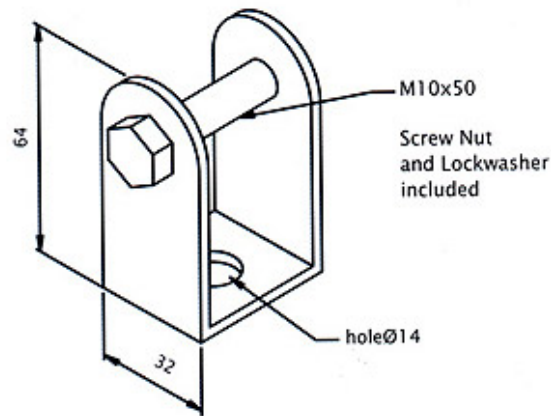
BEAM CLAMPS

N2676



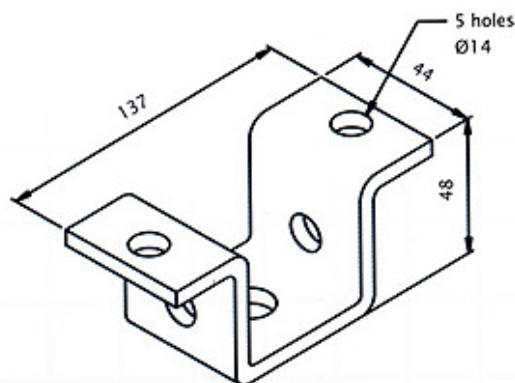
3 Thickness

N2683



3 Thickness

N2682

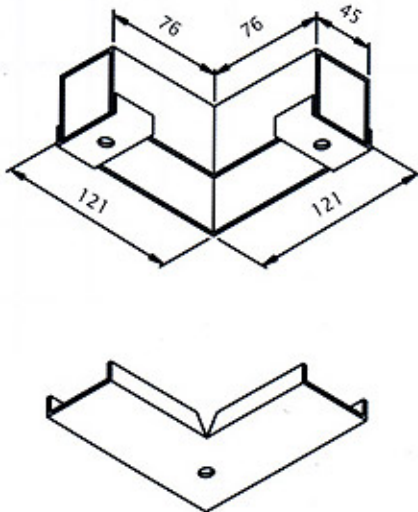


Mass : 15 kg/100

6 Thickness

JOINER BOXES AND SPLICE FITTINGS

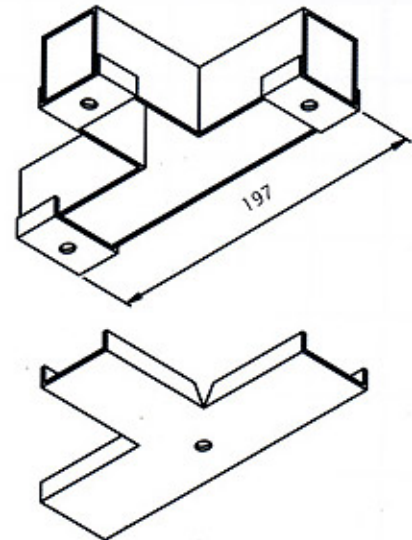
N1220



Elbows. Fixed to trunking by single screw and self locating nut at each entrance. The inspection cover is easily removable.

N1220 Two-way
Mass : 47 kg/100

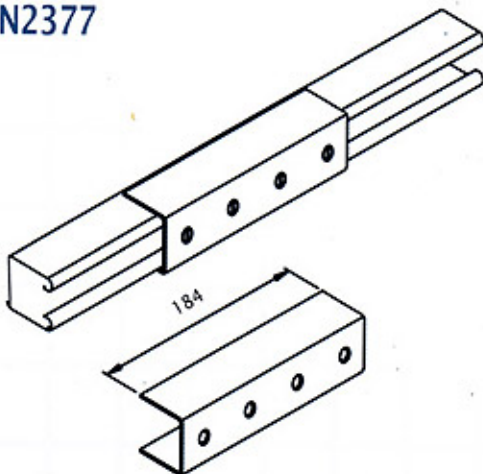
N1221



Tees. Fixed to trunking by single screw and self locating nut at each entrance. The inspection cover is easily removable.

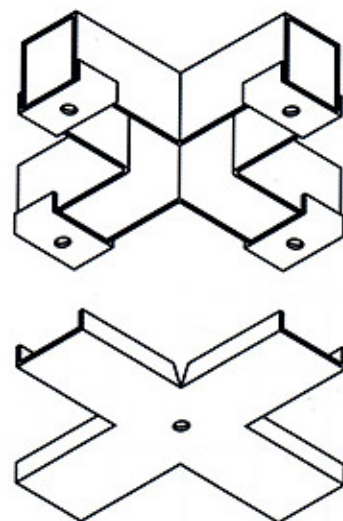
N1221 Tree-way
Mass : 64 kg/100

N2377



Joiner Fittings
For joining together continuous runs of trunking channel.
N2377 external 42 deep, for use with N1000 trunking.
Four N3016 clamping nuts and four M6x15 countersunk head screws should be ordered with each fitting.
Mass:
N2377 26 kg/100

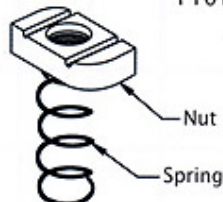


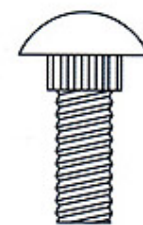
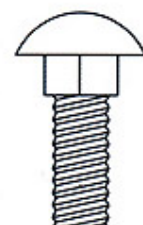





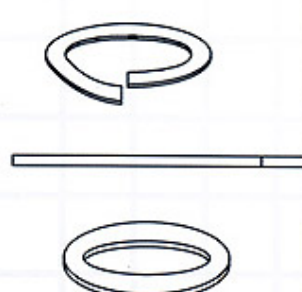


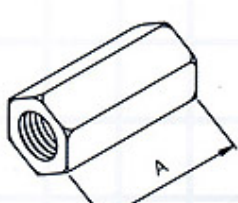
N1222



Crossover Boxes. Fixed to trunking by single screw and self locating nut at each entrance. The inspection cover is easily removable.

P1222 Four-way
Mass : 81 kg/100

Bolt, Nut, Washer & Rod

<p>SPRING NUT</p> <p>Size M10 M12</p> <p>P1008 P1010</p> 	<p>BOLT HEX HEAD</p> <p>Size M6x20 M8x30 M10x20 M10x25 M12x30 M12x40</p> 	<p>BOLT PAN HEAD (JP)</p> <p>Size M6x15 M6x20 M8x20</p> 															
<p>SPLINDED BOLT</p> <p>Size 3/8"x1"</p> 	<p>BOLT ROUND HEAD SQUARE NECK</p> <p>Size M10x25</p>  	<p>BOLT HEX HEAD CONE POINT</p> <p>Size M10x40 M12x40 M12x50</p> 															
<p>HEXAGON NUT</p> <p>Size M6 M8 M10 M12</p> 	<p>TRUNKING NUTS</p>  <p>For fixing of fittings and accessories. Ø6 mm</p>	<p>COUNTERSUNK HEAD SCREW</p> <p>SIZE M6 x 15</p> 															
<p>SPRING WASHER</p> <p>Size M6 M8 M10 M12</p>  <p>FLAT WASHER</p> 	<p>HANGER ROD</p> <table border="1"> <thead> <tr> <th></th> <th>Size</th> <th>Max. Recommended Tensile Load KN</th> </tr> </thead> <tbody> <tr> <td>HR10</td> <td>M10</td> <td>10.02</td> </tr> <tr> <td>HR12</td> <td>M12</td> <td>14.56</td> </tr> </tbody> </table> <p>Standard Length : 1.0 M</p> 		Size	Max. Recommended Tensile Load KN	HR10	M10	10.02	HR12	M12	14.56	<p>COUPLING NUT</p> <table border="1"> <thead> <tr> <th>Thread Size</th> <th>Length "A"</th> </tr> </thead> <tbody> <tr> <td>M10</td> <td>30</td> </tr> <tr> <td>M12</td> <td>40</td> </tr> </tbody> </table> 	Thread Size	Length "A"	M10	30	M12	40
	Size	Max. Recommended Tensile Load KN															
HR10	M10	10.02															
HR12	M12	14.56															
Thread Size	Length "A"																
M10	30																
M12	40																

